

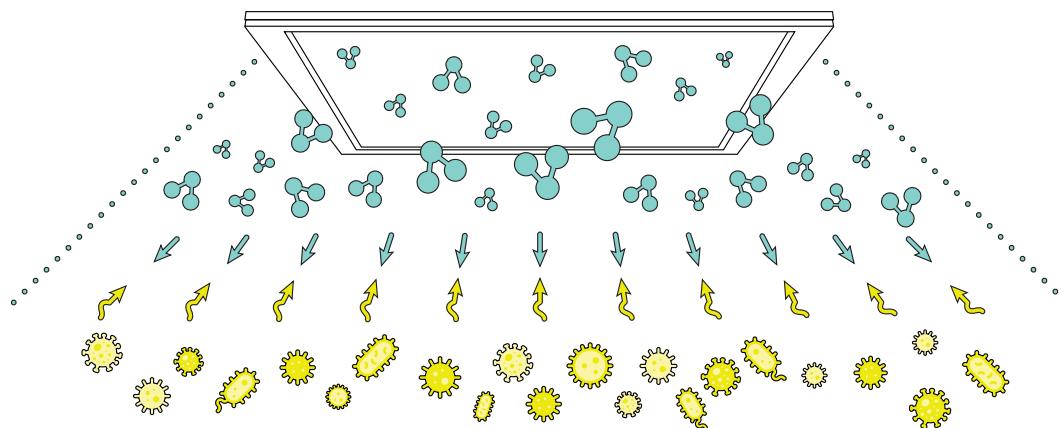
**CleanLight** is a revolutionary LED lighting panel that harnesses the innovative technology of  $\text{TiO}_2$  to clean the air of microbes, toxins and odours.

Using Photocatalytic Oxidation (PCO) enabled by the Titanium Dioxide coating, the LED panel neutralises airborne pathogens in a  $7.5\text{m}^2$  area – creating instant anti-microbial, anti-toxin and anti-odour zone protection.

### CleanLight...

- 💡 Kills airborne microbes, including harmful viruses and bacteria
- 💡 Reduces internal  $\text{NO}_2$  (Nitrogen Oxide)
- 💡 Reduces the risk of airborne pathogen transmission in indoor spaces
- 💡 Purifies the air of toxins and odours
- 💡 Is completely safe to humans and animals
- 💡 Utilises LED for high energy efficiency

Making **CleanLight** the ideal lighting panel for **hospitals, public bathrooms, commercial kitchens** and **care homes**.



### Product features



Maintenance free 30,000 hour life span



Screwless structure, built from high quality aluminium alloy



5 year warranty



Instant edge to edge LED with high (100lm/W) efficiency

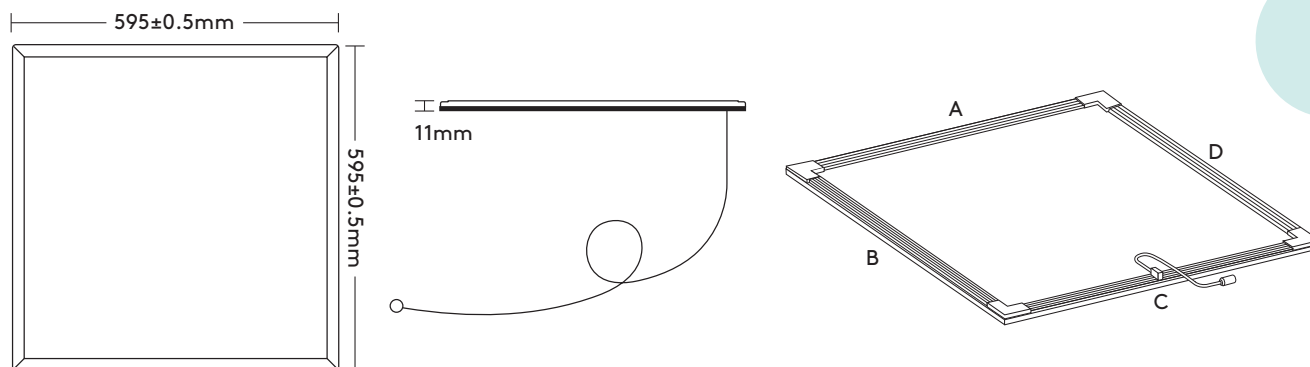


6500K cool white colour temperature

# LIGHTICO

# CleanLight

## Technical Specifications:



Stock Code SKU	LHTIO6X6T
Input voltage	AC200-240V
Power Consumption	40W±10%
Luminous Flux	4000lm±10%
Emitting Colour	Daylight
Colour Temperature	6500K±450K
Luminous Efficiency	100lm/w
SDCM	≤6
Beam Angle	120°
THD	≤20%
Lifespan	30000 Hours
CRI Ra	≥80
PF	≥0.9
Certificates	RoHS CE TUV GS
Net Weight	≈2.3KG
Size	595x595x11 mm
Operating Ambient	-20°C to +45°C
Storage Ambient	-20°C to +50°C
IP code	IP20

Lightico, Studio 1, Cross York Street, Leeds, England, LS2 7BL  
 Tel: 0113 460 7102 Email: [sales@lightico.co.uk](mailto:sales@lightico.co.uk) [www.lightico.co.uk](http://www.lightico.co.uk)

Lightico Ltd registered in England and Wales No. 12746479

