

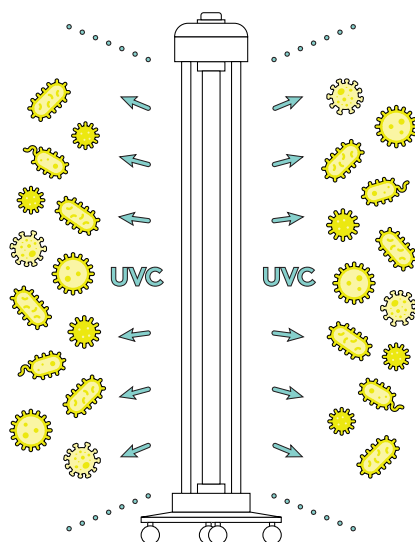
Protect is a ground-breaking UV-C mobile unit that offers chemical-free, deep clean of the workplace destroying surface bacteria and viruses. Protect ensures maximum safety through the use of 360-degree motion sensors immediately powering down the unit if anyone enters its range.

Using Super Ultraviolet radiation, Protect kills all viruses and bacteria up to 60m<sup>2</sup> with 360-degree effectiveness, leaving no toxic after effects.

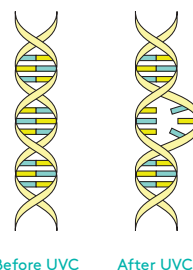
#### Protect...

- ❏ Destroys viruses and bacteria
- ❏ Chemical-free and non-toxic
- ❏ Provides 360-degree effectiveness for up to 60m<sup>2</sup>
- ❏ Deep cleans your workplace overnight

Making **Protect** the most effective solution for cleaning viruses and bacteria.

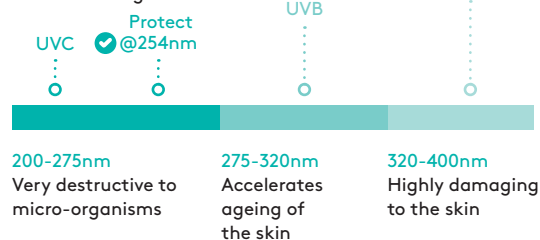


UVC damages DNA and sterilises surfaces



Ultraviolet photons break down the DNA molecules of living organisms in different ways. In one common damage event, adjacent thymine bases bond with each other, instead of across the 'ladder'. This 'thymine dimer' makes a bulge, and the distorted DNA molecule does not function properly.

Shortwave UVC sterilises UV light:



#### Product features



18,000 hour  
lifespan



Motion sensor with  
instant shut off

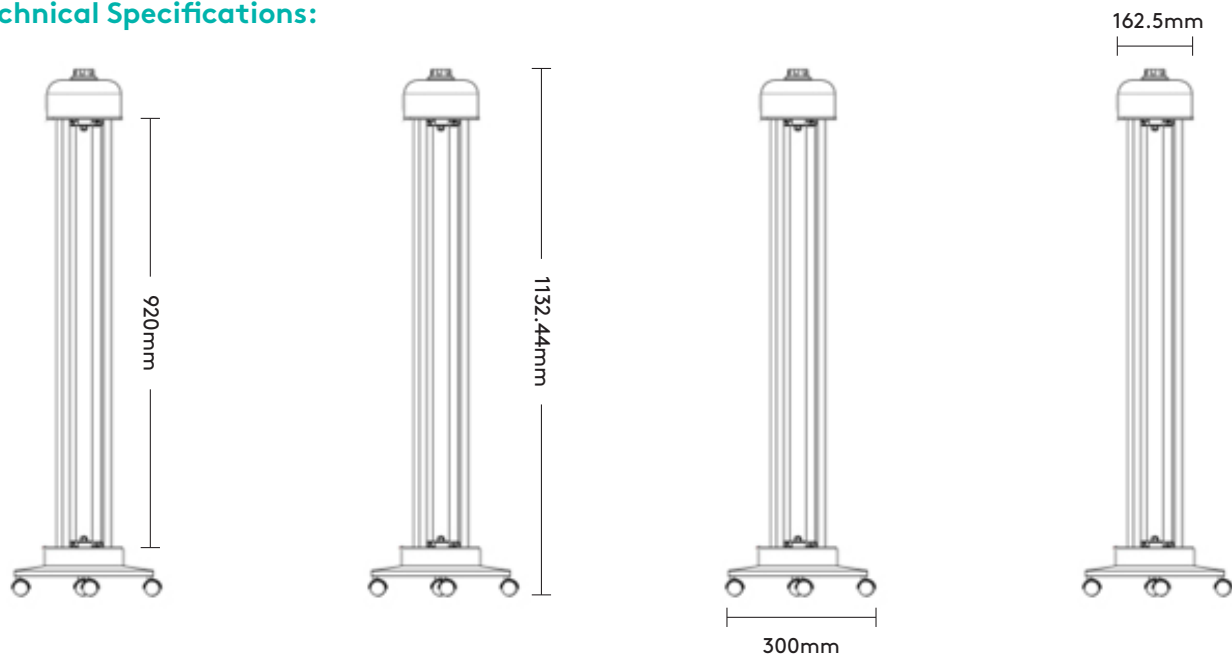


Time shutdown  
function



Full EU  
certification

## Technical Specifications:



Stock Code SKU	LHTIOUV2-UK
Input voltage	220-240V 50/60Hz
Power Consumption	2*30W
UV Wavelength	254nm
Setting Time	10-120 min
Net Weight	8KG
Beam Angle	360°
IP rate	IP20
Operating Ambient	5°C to +45°C
Storage Ambient	0°C to +50°C
THD	<20%
Surge	L.N>2KV
Protection Features	Overcurrent protection, output circuit protection and short circuit protection 360-degree motion sensor and timed auto cut off
Tube Life Span	18,000H
Certificates	RoHS CE TUV/GS

Lightico, Studio 1, Cross York Street, Leeds, England, LS2 7BL  
 Tel: 0113 460 7102 Email: [sales@lightico.co.uk](mailto:sales@lightico.co.uk) [www.lightico.co.uk](http://www.lightico.co.uk)

Lightico Ltd registered in England and Wales No. 12746479

