

Protect against Covid-19

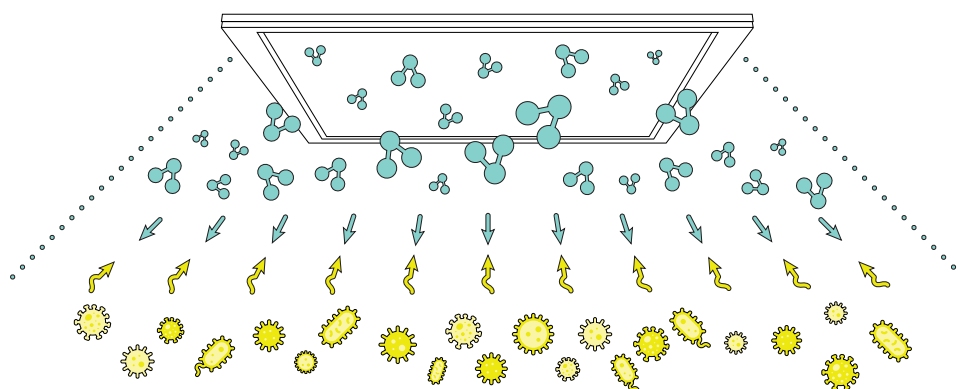
Switch existing LEDs for **CleanLight** tech and switch on safety. **CleanLight** is a powerful and highly innovative new technology that's proven to destroy deadly airborne viruses and bacteria – including the Covid-19 virus.

Extensive laboratory testing and many real-world trials have shown that, in the flick of a switch, CleanLight instantly purifies and cleans the air, destroying airborne viruses and saving lives.

Switching to CleanLight is quick too. Our panels can replace most existing luminaires, making it easy to switch to the light that's proven to protect people from infection, wherever it shines.

How CleanLight works

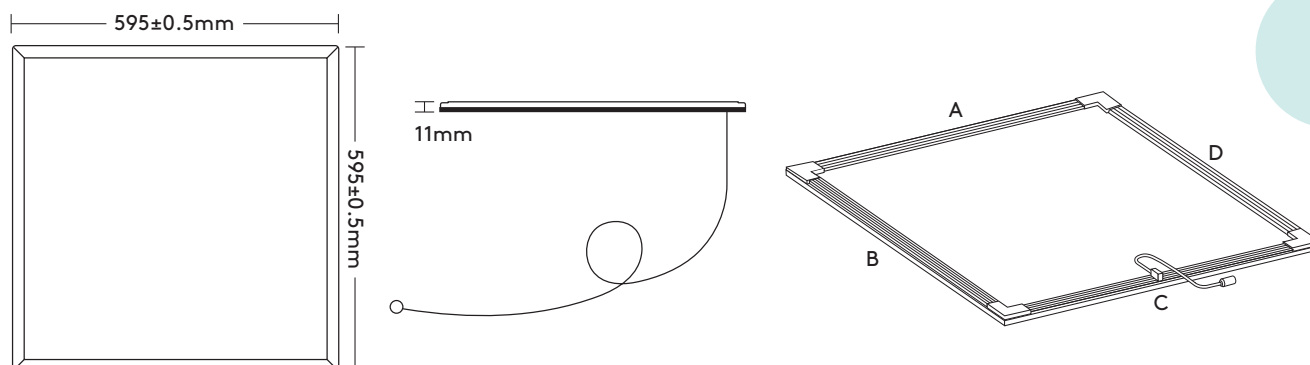
- 💡 Its breakthrough TiO₂ nanomaterial kills airborne microbes, including harmful viruses and bacteria
- 💡 Reduces the risk of airborne pathogen transmission indoors
- 💡 Purifies odours in the air, as well as toxins
- 💡 Reduces the air pollutant nitrogen dioxide indoors
- 💡 Completely safe to humans and animals
- 💡 Prism PS panel for low glare
- 💡 IP44 Rated, protection against dust and liquids
- 💡 Utilises LED for high energy efficiency



Product features

- 💡 TPa fire rated
- 💡 Maintenance free 50,000 hour life span
- 💡 Screwless structure, built from high quality aluminium alloy
- 💡 5 year warranty
- 💡 Instant edge to edge LED with high (100lm/W) efficiency
- 💡 Available in 6500K daylight white and 4000K cool white colour temperature

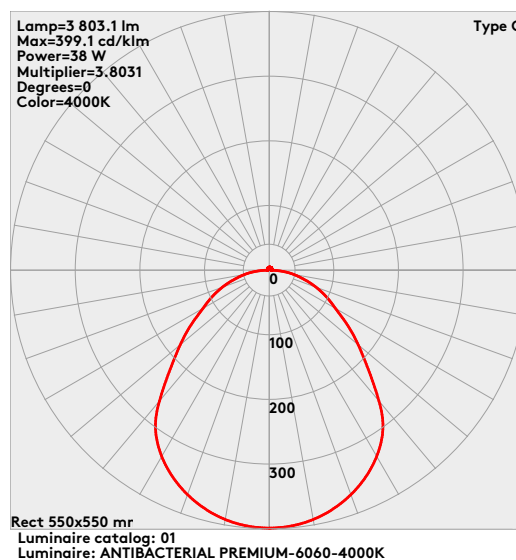
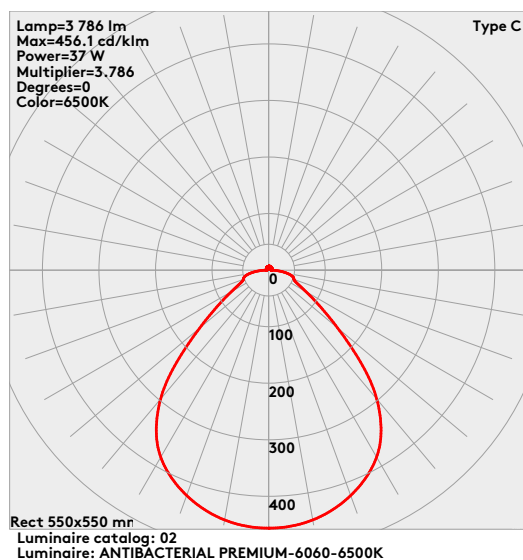
Technical Specifications:



Net Weight	≈2.3KG
Size	595x595x11 mm
Additional sizes available*	100x600x11 mm 300x300x11 mm 500x500x11 mm 300x1200x11 mm 600x1200x11 mm
Emitting Colour	Daylight, Cool
Colour Temperature	6500±450K, 4000K±250K
Input Voltage	AC200-240V
Power Consumption	40W±10%
Luminous Flux	4000lm±10%
Luminous Efficiency	100lm/w

SDCM	≤6
Beam Angle	95°
THD	≤15%
Lifespan	50000 Hours
CRI Ra	≥80
PF	≥0.9
Operating Ambient	-20°C to +45°C
Storage Ambient	-20°C to +50°C
IP Code	IP44
Fire Rating	TPa
Surface	Prism PS panel, low glare
Certificates	RoHS CE TUV GS

*Additional sizes are available on 6-8 week delivery and subject to MOQ



Lightico, Studio 1, Cross York Street, Leeds, England, LS2 7BL
Tel: 0113 460 7102 Email: sales@lightico.co.uk www.lightico.co.uk

Lightico Ltd registered in England and Wales No. 12746479

