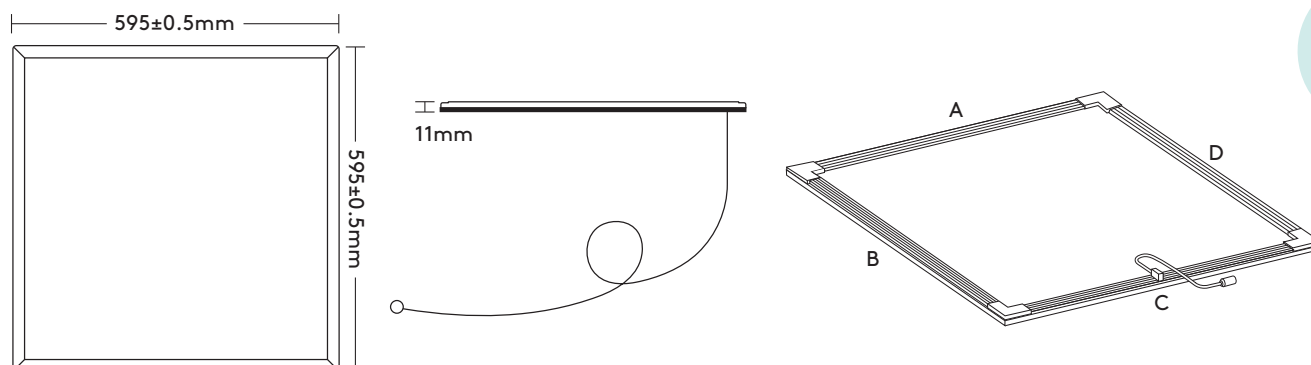


# LIGHTICO

# CleanLight 2

## Technical Specifications:



## CleanLight 2

CleanLight LED Panel 600x600 TPA  
IP44 TP(a) Slim Recessed LED Panel  
Prism PS Low Glare Panel



General Information		Packaging	
Product Code	LHTIO6X6T2-4000 LHTIO6X6T2-6500	Carton Dimensions (mm)	W = 655, L = 675, H = 200
Product Range	CleanLight	Quantity per Outer Carton	1
Product Category	LED Panels	Total Weight incl. Carton (Kg)	3.4 kg
Fixing Method	Recessed/Surface/Suspended	Luminaire Performance	
IP Rating	IP44	Energy Rating	N/A
IK Rating	N/A	Luminaire Lumens (lm)	4000lm ± 10%
Warranty	5 Years	Power Consumption (W)	40W ± 10%
Dimension/Weight		Efficacy (l.lm/c.W)	100lm/w
Dimensions (L x W x H) (mm)	L = 595, W = 595, H = 11	Operating Temp. (Min/Max)	-20°C to +45°C
Cut-out Size (mm)	N/A	Storage Temp. (Min/Max)	-20°C to +50°C
Product Weight (Kg)	≈2.3	Termination	3x2x2.5mm sq. Push In Terminal
Construction		Lifespan	50000 Hours
Body Material	Aluminum	Light Source	
Body Colour	White	Type	LED
Optical Material	PC	Correlated Colour Temp.	6500±450K, 4000K±250K
Optical Finish	Opal	Colour Rendering Index (CRI)	>80
Termination	3x2x2.5mm sq. Push In Terminal	Lumen Depreciation	L80:B10 50000
Driver - Integral or Remote	Remote	SDCM	<6
		Beam Angle	95°
		THD	<15%
		CRI Ra	>80

Lightico, Studio 1, Cross York Street, Leeds, England, LS2 7BL

Tel: 0113 460 7102 Email: sales@lightico.co.uk www.lightico.co.uk

Lightico Ltd registered in England and Wales No. 12746479



## Technical Specifications:

Electrical Input	
Voltage (V)	AC200-240V
Operating Frequency	50
In Rush	<25A
Drivers per MCB*	B10=16 B16=28
Class	Class 3
Power Factor	>0.9
Cable Entry	Prewired

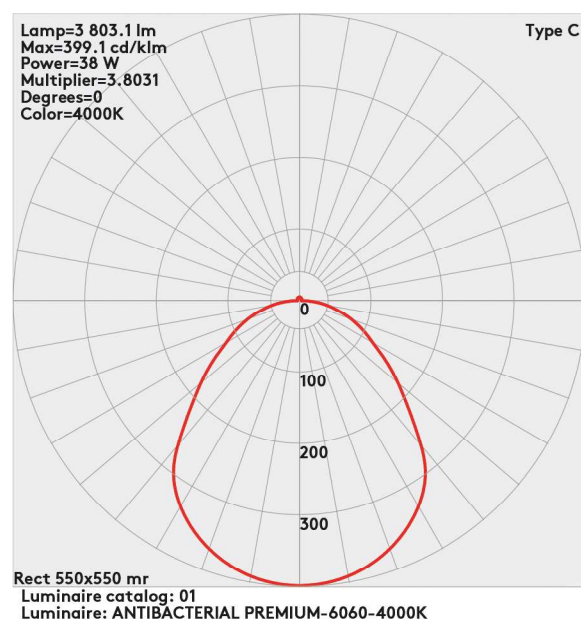
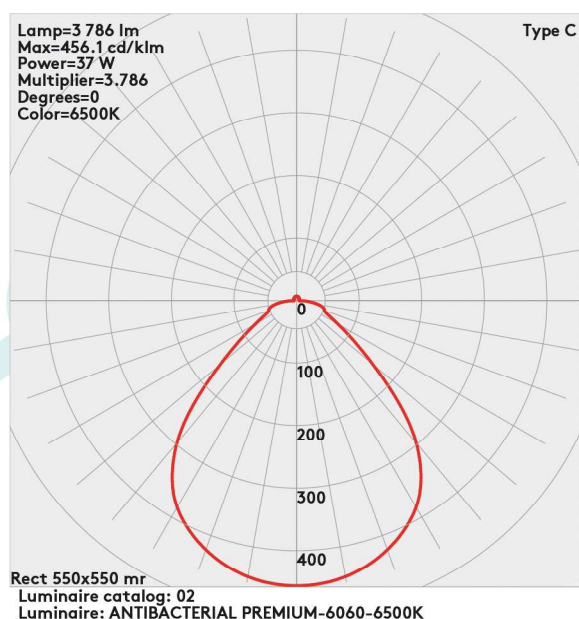
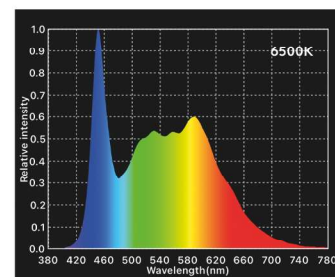
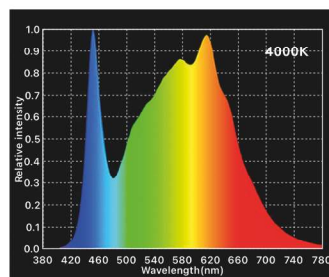
Electrical Output	
Forward Current (mA)	N/A
Forward Voltage (Vf)	N/A

Emergency Data	
Mode of Operation	N/A
Battery Duration	N/A
Battery Type	N/A
Battery Specification	N/A
Ballast Lumens Factor (BLF)	N/A

Dimming	
DALI	N/A
OTHER	N/A
Switch Dim	N/A
Corridor Function	N/A

Sensors	
Microwave	N/A
PIR	N/A

Standards/Approvals	
CE Marked	Yes
UK CA Marked	Yes
Certificate of Conformity	Yes
Accreditations	N/A



Lightico, Studio 1, Cross York Street, Leeds, England, LS2 7BL  
Tel: 0113 460 7102 Email: [sales@lightico.co.uk](mailto:sales@lightico.co.uk) [www.lightico.co.uk](http://www.lightico.co.uk)

Lightico Ltd registered in England and Wales No. 12746479

